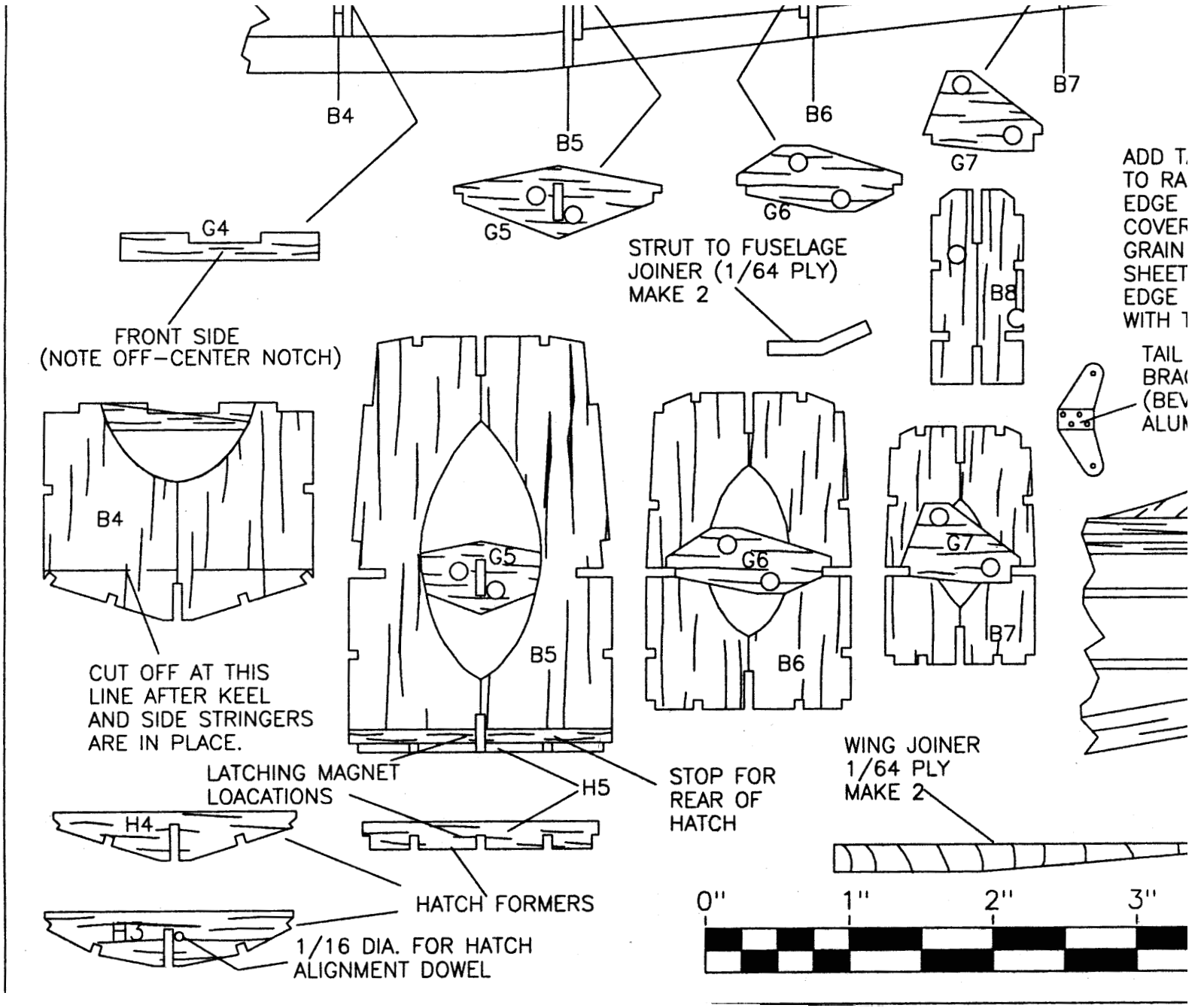


<h1>AERONCA CHAMP</h1> <p>RC CONVERSION OF GUILLOW'S KIT #301</p>
DESIGNED BY: ROGER CARIGNAN
DRAWN BY: ROGER CARIGNAN
WINGSPAN 24 IN", AREA; 84 SQ.IN. WT. 44 g



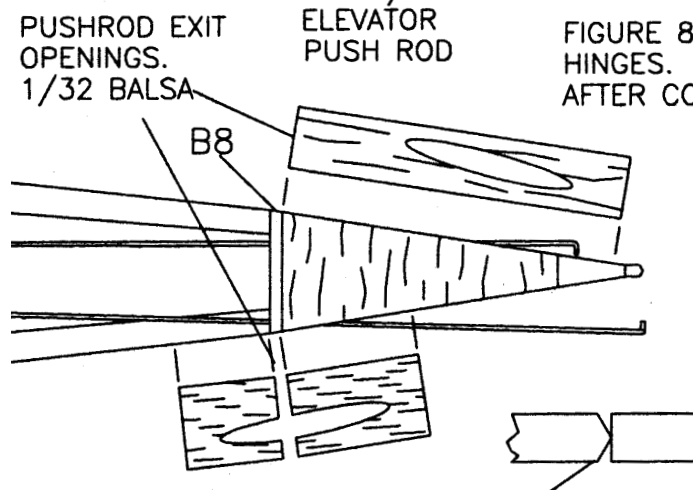
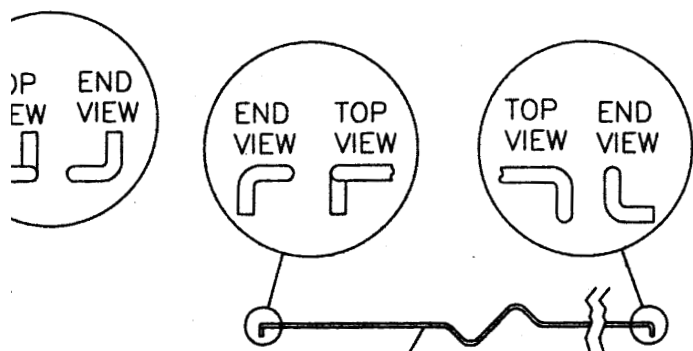
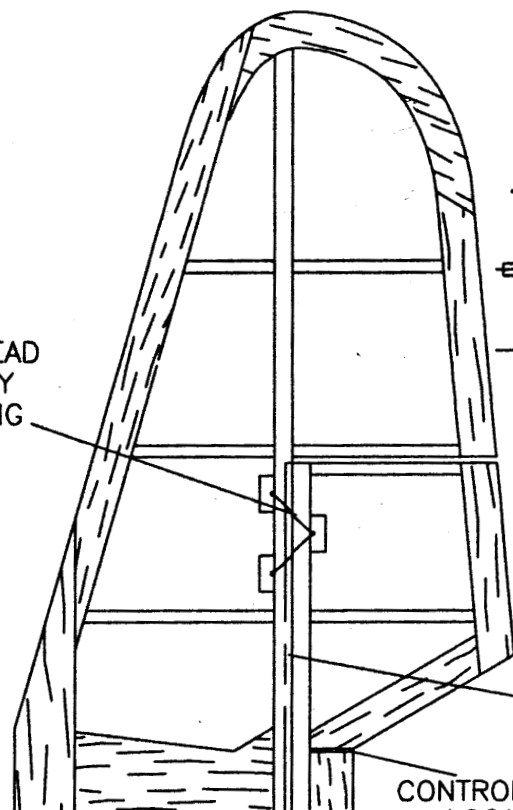
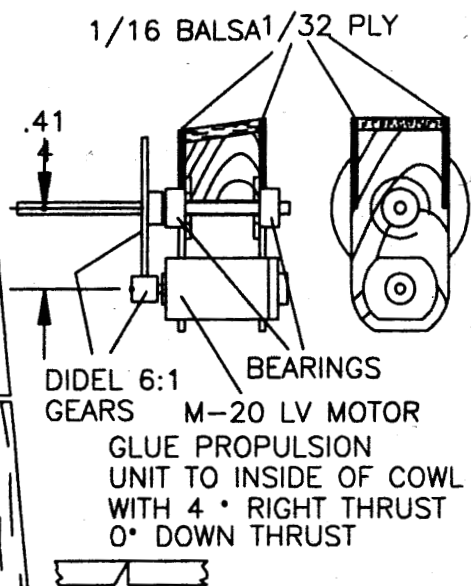


FIGURE 8 THREAD HINGES. APPLY AFTER COVERING



PROPULSION UNIT DETAIL.



BEVEL BOTTOM OF STAB HINGE LINE 30°

CONTROL HORN ELEVATOR

1

