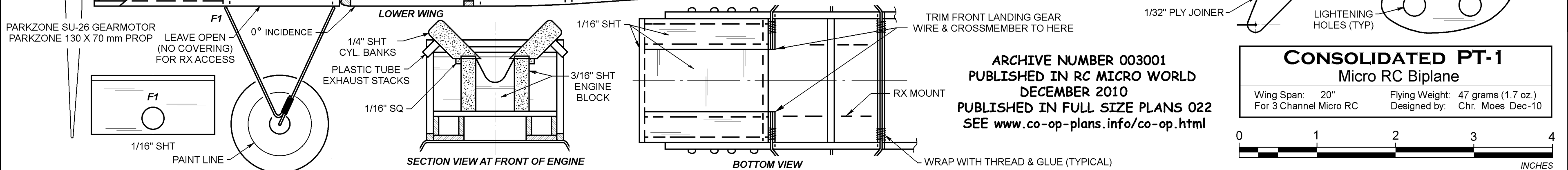
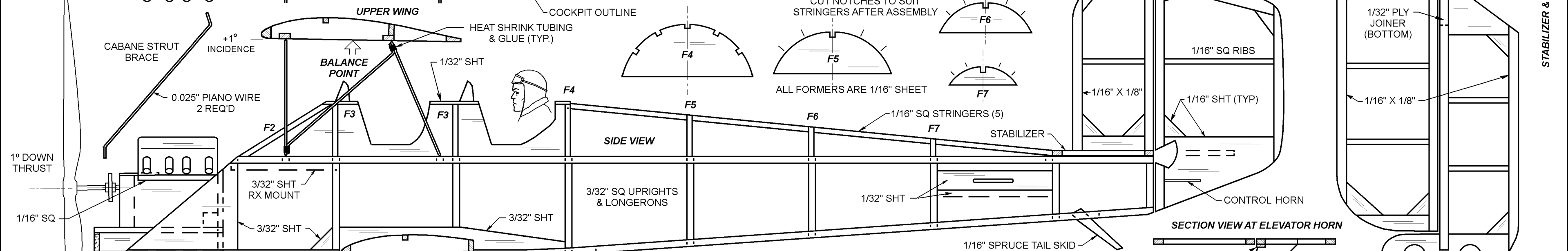
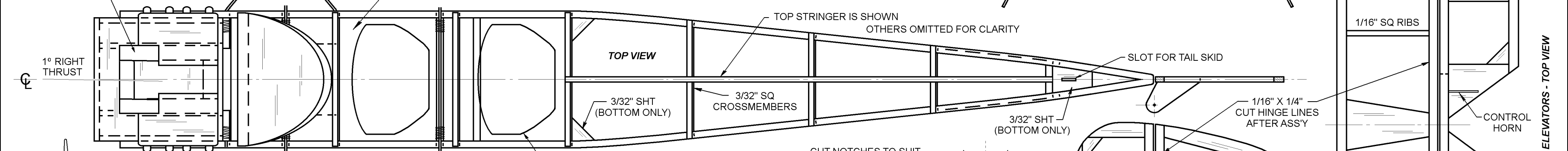
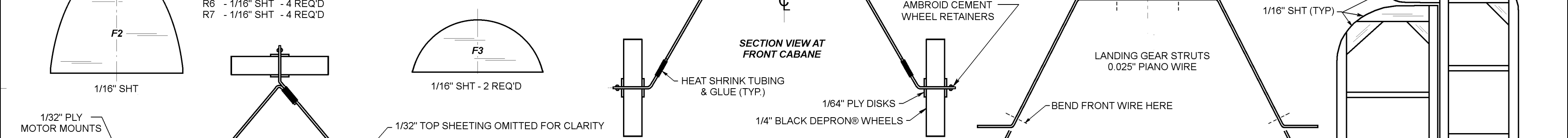
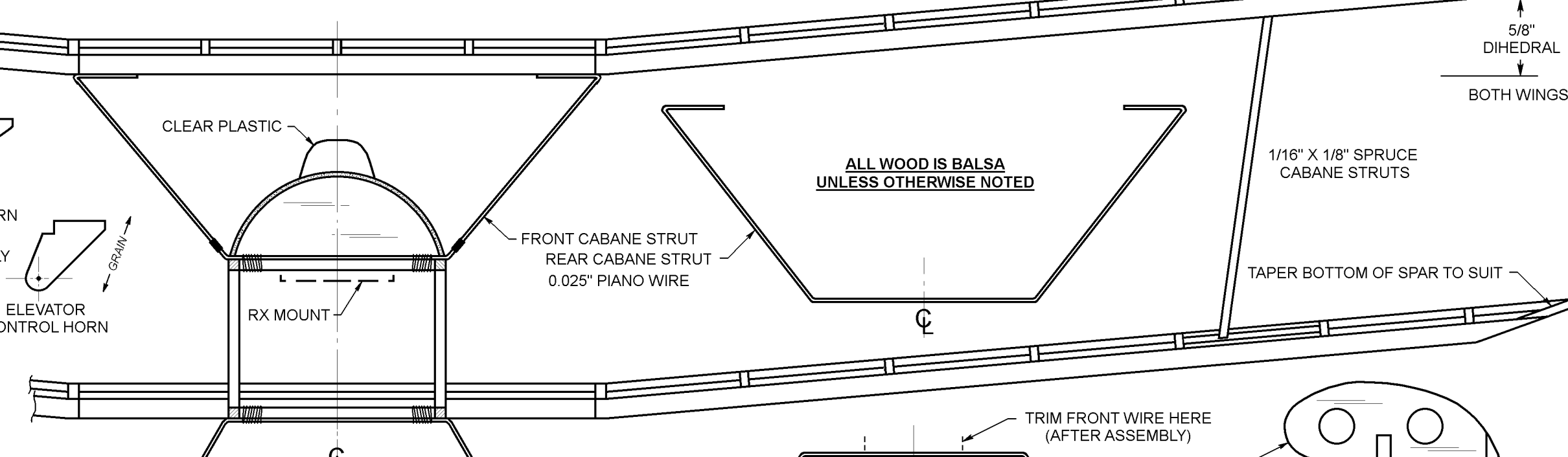
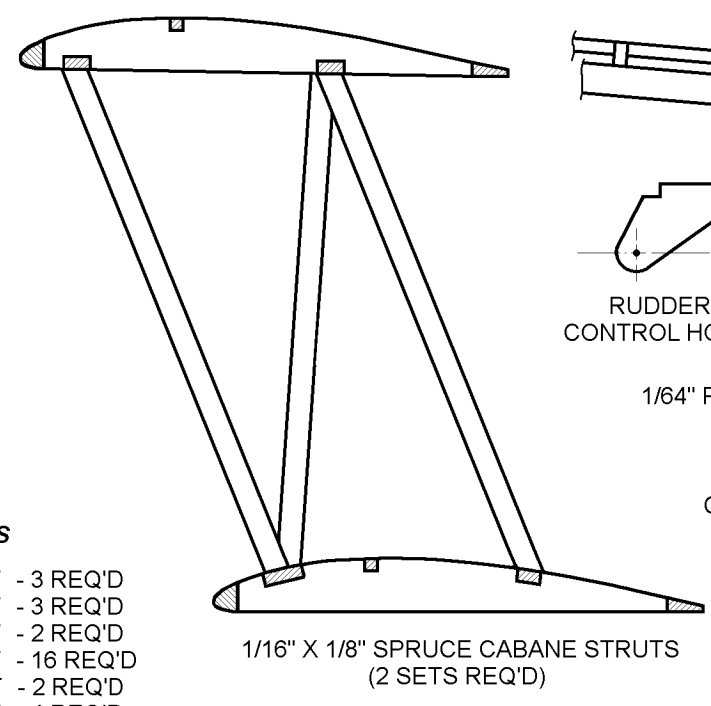
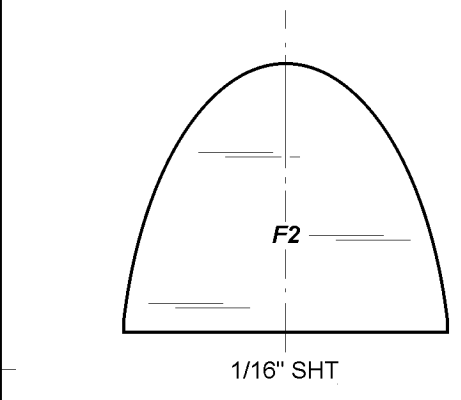


- RIBS**
- R1 - 1/16" SHT - 3 REQ'D
 - R2 - 1/16" SHT - 3 REQ'D
 - R3 - 3/32" SHT - 2 REQ'D
 - R4 - 1/16" SHT - 16 REQ'D
 - R5 - 3/32" SHT - 2 REQ'D
 - R6 - 1/16" SHT - 4 REQ'D
 - R7 - 1/16" SHT - 4 REQ'D



ARCHIVE NUMBER 003001
 PUBLISHED IN RC MICRO WORLD
 DECEMBER 2010
 PUBLISHED IN FULL SIZE PLANS 022
 SEE www.co-op-plans.info/co-op.html

CONSOLIDATED PT-1
 Micro RC Biplane

Wing Span: 20"	Flying Weight: 47 grams (1.7 oz.)
For 3 Channel Micro RC	Designed by: Chr. Moes Dec-10