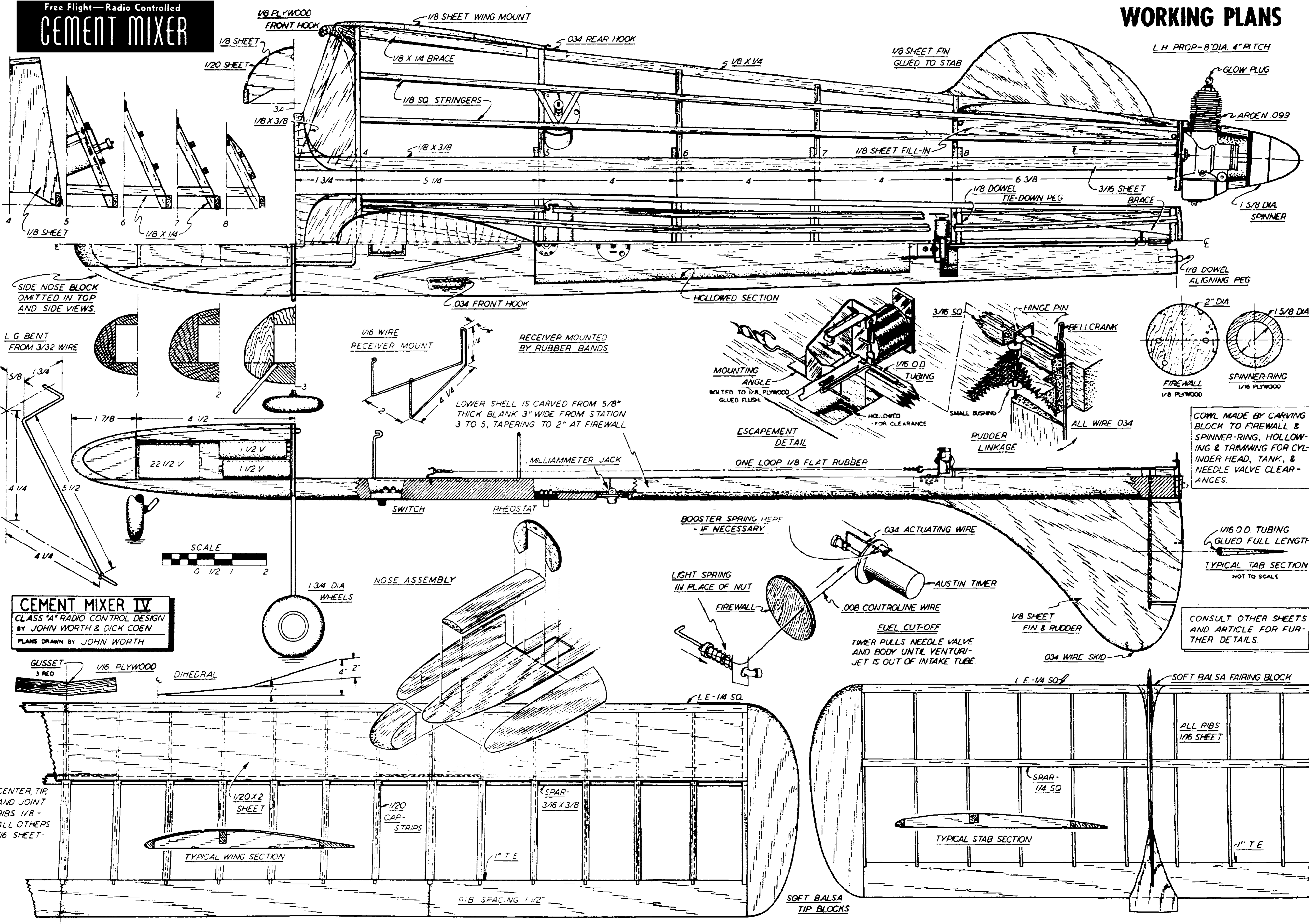


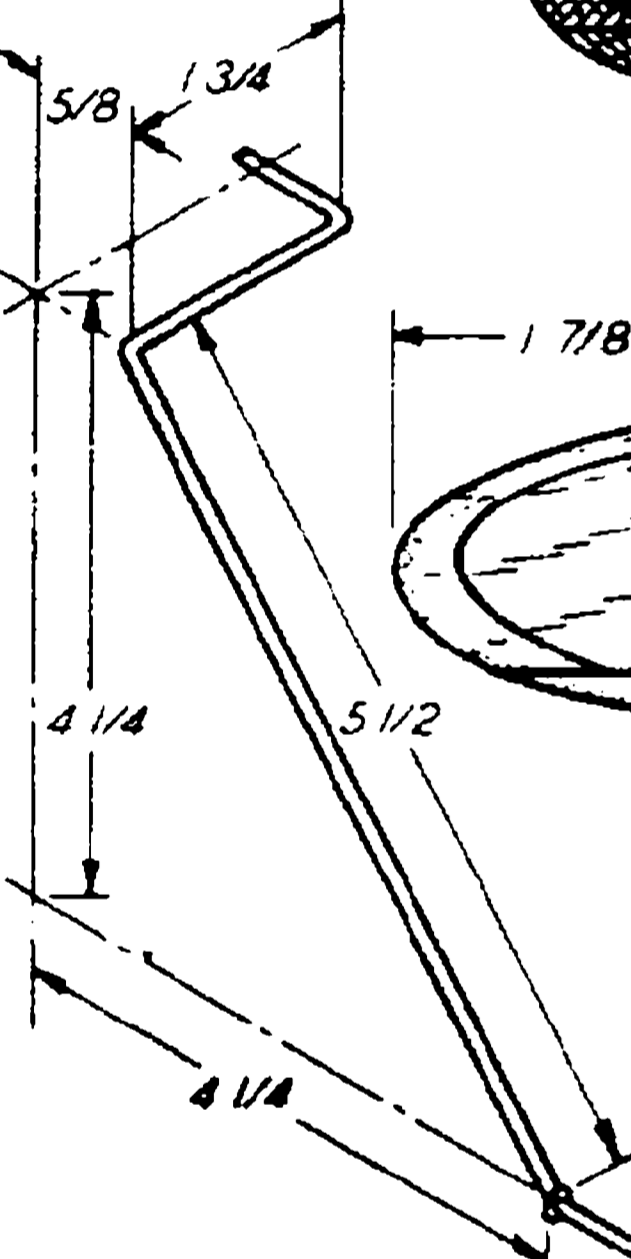
Free Flight—Radio Controlled
CEMENT MIXER

WORKING PLANS



SIDE NOSE BLOCK OMITTED IN TOP AND SIDE VIEWS.

L.G. BENT FROM 3/32 WIRE



CEMENT MIXER IV
CLASS "A" RADIO CONTROL DESIGN
BY JOHN WORTH & DICK COEN
PLANS DRAWN BY JOHN WORTH

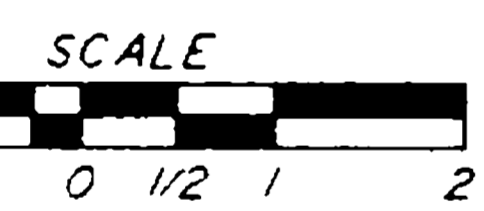


CENTER, TIP AND JOINT RIBS 1/8 - ALL OTHERS 1/16 SHEET

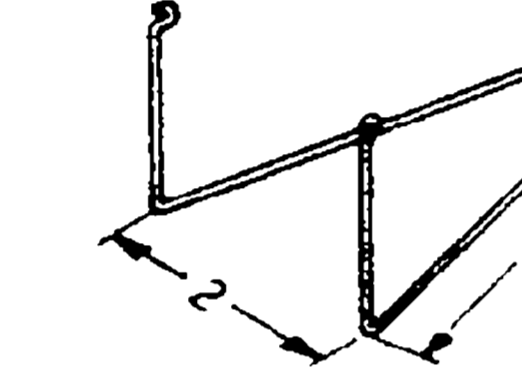
TYPICAL WING SECTION

RIB SPACING 1/2"

SOFT BALS TIP BLOCKS



1/16 WIRE RECEIVER MOUNT



RECEIVER MOUNTED BY RUBBER BANDS

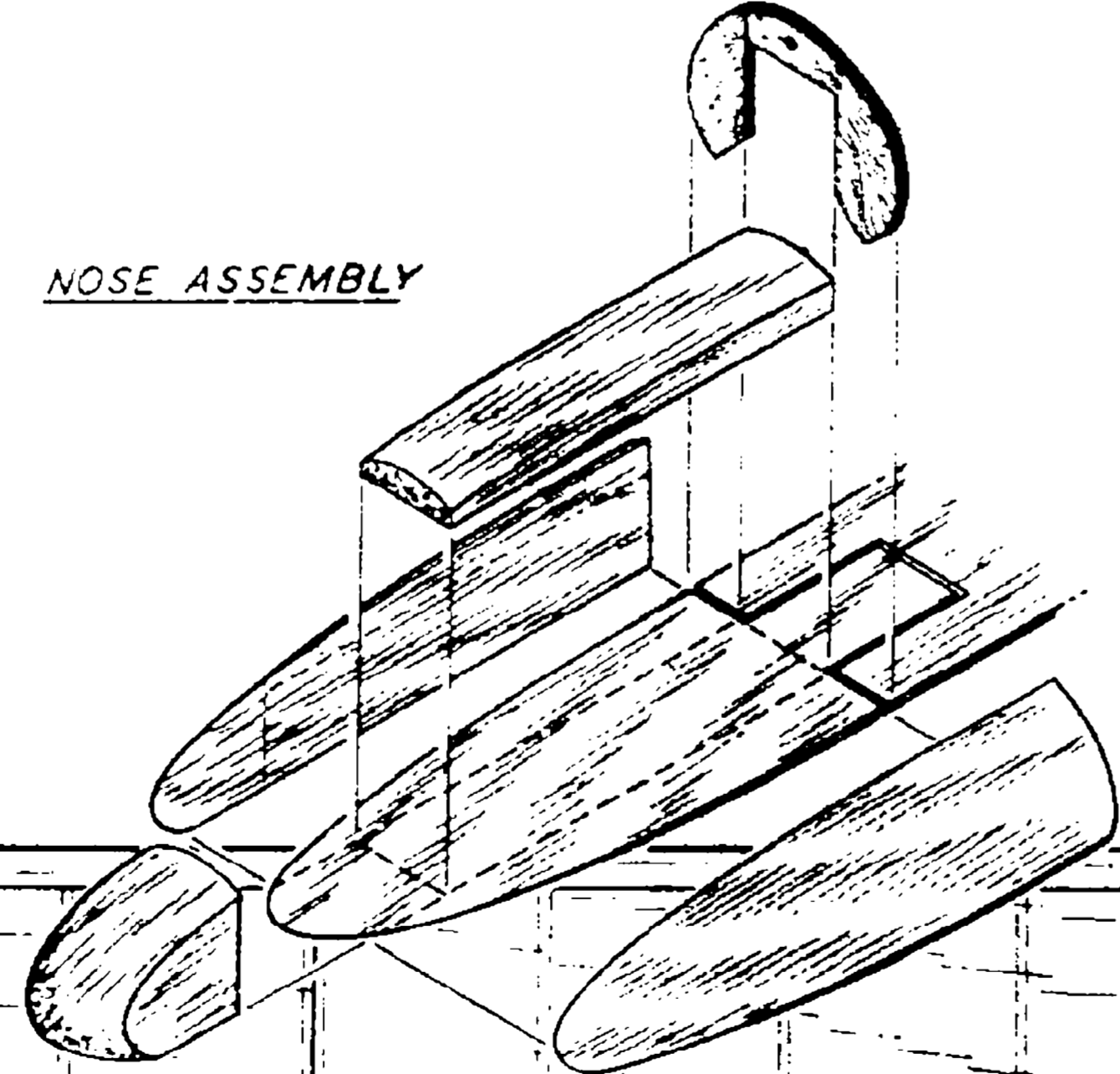
LOWER SHELL IS CARVED FROM 5/8" THICK BLANK 3" WIDE FROM STATION 3 TO 5, TAPERING TO 2" AT FIREWALL

MILLIAMETER JACK

SWITCH

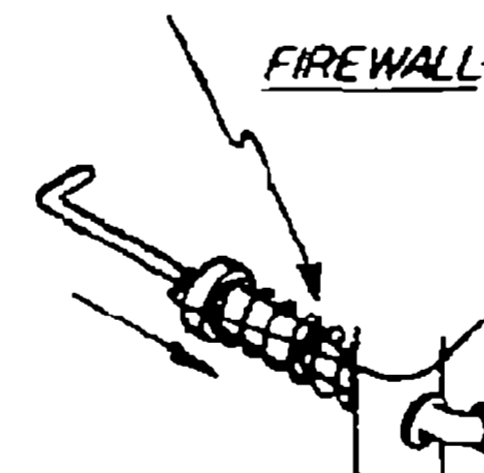
RHEOSTAT

NOSE ASSEMBLY



BOOSTER SPRING HERE - IF NECESSARY

LIGHT SPRING IN PLACE OF NUT



FIREWALL

FUEL CUT-OFF

TIMER PULLS NEEDLE VALVE AND BODY UNTIL VENTURI-JET IS OUT OF INTAKE TUBE.

008 CONTROL WIRE

034 ACTUATING WIRE

AUSTIN TIMER

1/8 SHEET FIN & RUDDER

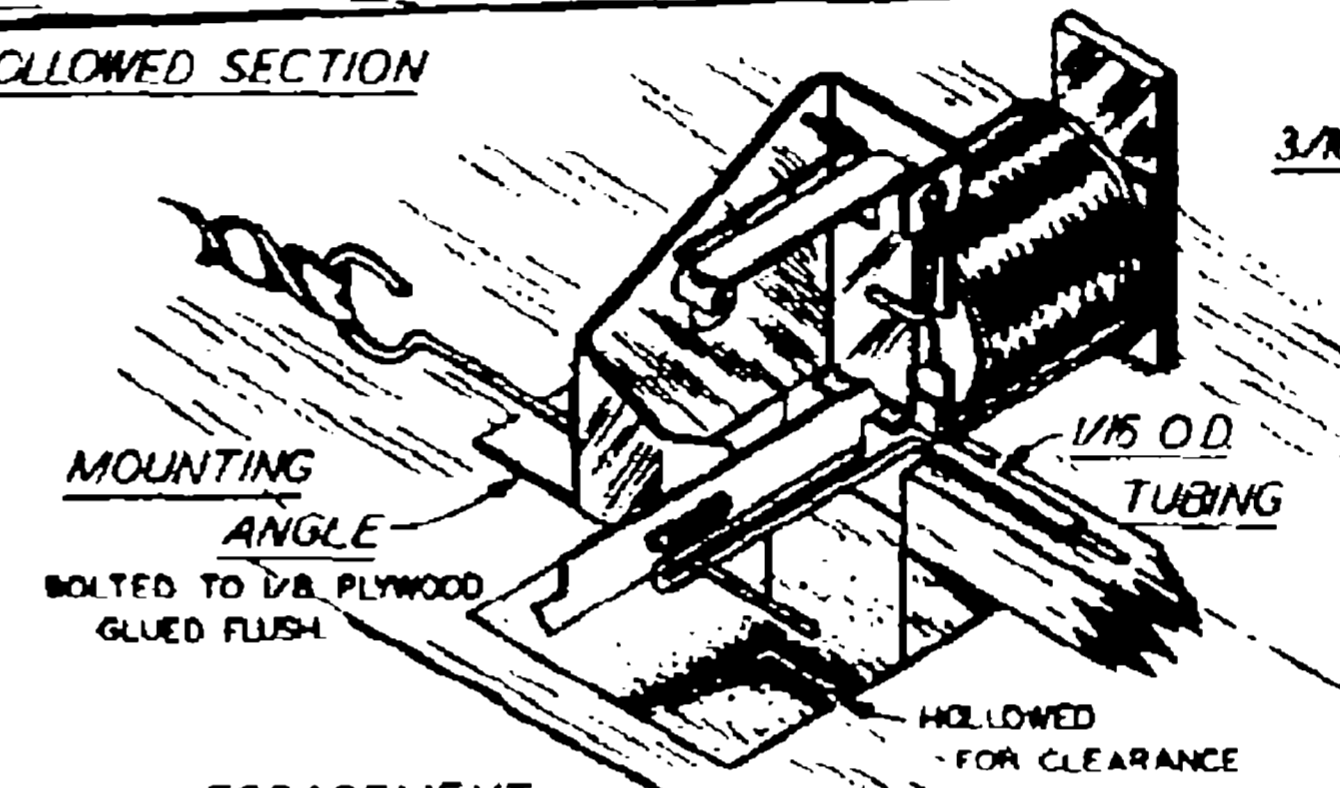
034 WIRE SKID

HOLLOWED SECTION

MOUNTING ANGLE BOLTED TO 1/8 PLYWOOD GLUED FLUSH

ESCAPEMENT DETAIL

ONE LOOP 1/8 FLAT RUBBER



3/16 SQ

1/15 O.D. TUBING

HOLLOWED FOR CLEARANCE

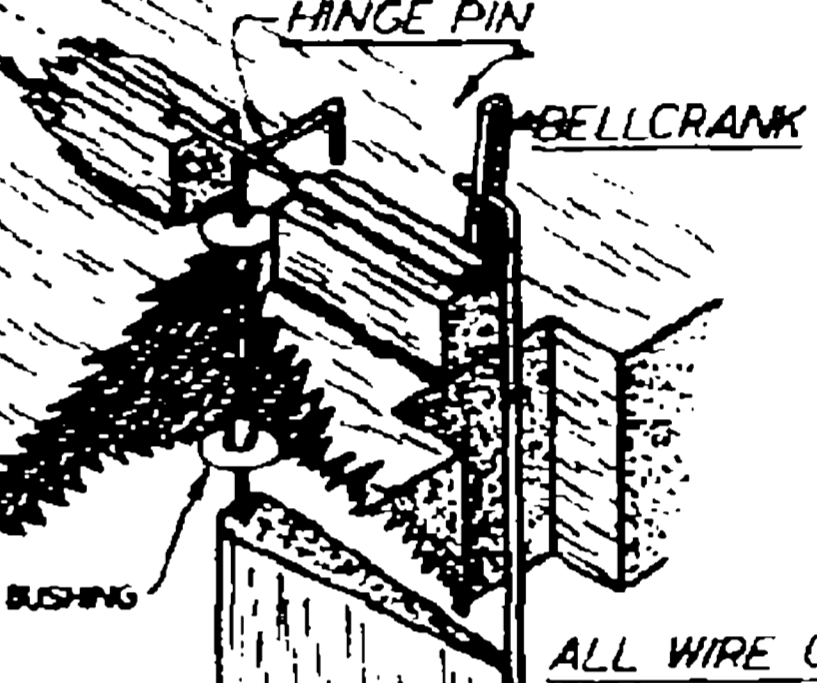
HINGE PIN

BELLCRANK

RUDDER LINKAGE

SMALL BUSHING

ALL WIRE 034



2" DIA

FIREWALL 1/8 PLYWOOD

1 5/8 DIA

SPINNER-RING 1/16 PLYWOOD

1 5/8 DIA SPINNER

1 5/8 DIA SPINNER

1 5/8 DIA SPINNER

1 5/8 DIA SPINNER

1 5/8 DIA SPINNER

1 5/8 DIA SPINNER

1 5/8 DIA SPINNER

1 5/8 DIA SPINNER

1 5/8 DIA SPINNER

1 5/8 DIA SPINNER

1 5/8 DIA SPINNER

1 5/8 DIA SPINNER

1 5/8 DIA SPINNER

1 5/8 DIA SPINNER

1 5/8 DIA SPINNER

1 5/8 DIA SPINNER

1 5/8 DIA SPINNER

1 5/8 DIA SPINNER

1 5/8 DIA SPINNER

1 5/8 DIA SPINNER

1 5/8 DIA SPINNER

1 5/8 DIA SPINNER

1 5/8 DIA SPINNER

1 5/8 DIA SPINNER

1 5/8 DIA SPINNER

1 5/8 DIA SPINNER

1 5/8 DIA SPINNER

1 5/8 DIA SPINNER

1 5/8 DIA SPINNER

GOWL MADE BY CARVING BLOCK TO FIREWALL & SPINNER-RING, HOLLOWING & TRIMMING FOR CYLINDER HEAD, TANK, & NEEDLE VALVE CLEARANCES.

1/16 O.D. TUBING GLUED FULL LENGTH
TYPICAL TAB SECTION NOT TO SCALE

CONSULT OTHER SHEETS AND ARTICLE FOR FURTHER DETAILS.

L.E. - 1/4 SQ

SOFT BALS FAIRING BLOCK

ALL RIBS 1/16 SHEET

SPAR - 1/4 SQ

TYPICAL STAB SECTION

1" T.E